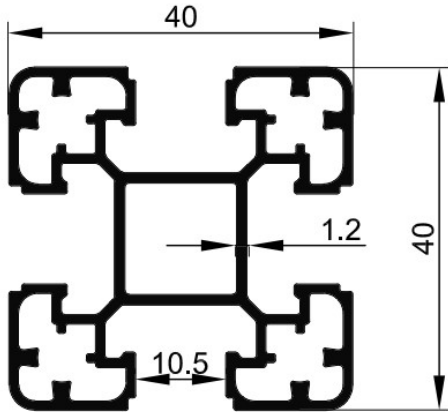
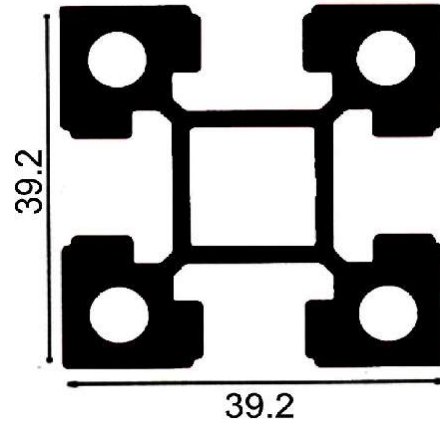


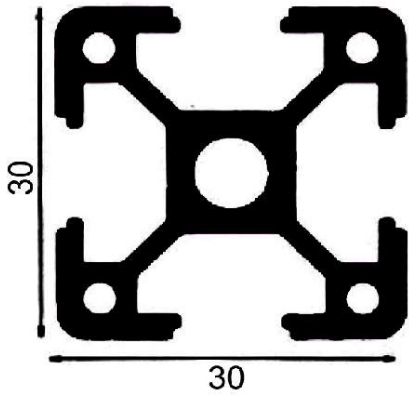
**CONVEYORS**



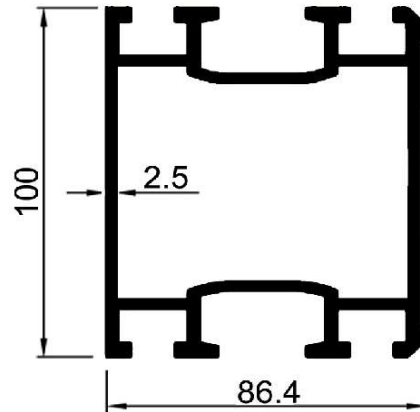
SI NO	SECTION NO.	WEIGHT(KG/M)
1	9071	0.874



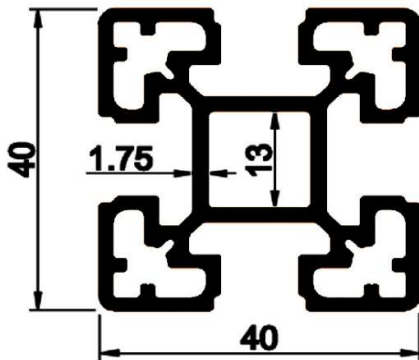
SI NO	SECTION NO.	WEIGHT(KG/M)
1	9072	1.650



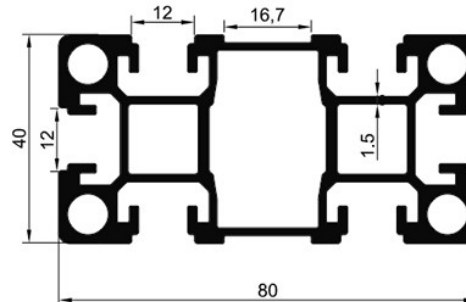
SI NO	SECTION NO.	WEIGHT(KG/M)
1	9070	0.820



SI NO	SECTION NO.	WEIGHT(KG/M)
1	9068	3.603



SI NO	SECTION NO.	WEIGHT(KG/M)
1	9073	1.258



SI NO	SECTION NO.	WEIGHT(KG/M)
1	9372	2.440